



# VWA1295B

EAN 5603209000458



## CART MOUNT 32"-70"

ADJUSTABLE HEIGHT: 640 MM  
BRAKED WHEELS  
AV SHELF INCLUDED



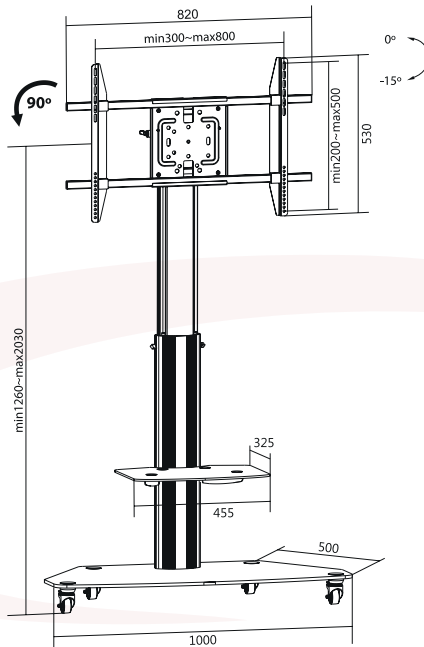
300x200 to 800x500



BLACK COLOR

### ORIENTATION

LANDSCAPE / PORTRAIT



ALL DIMENSIONS (MM)