

LW303

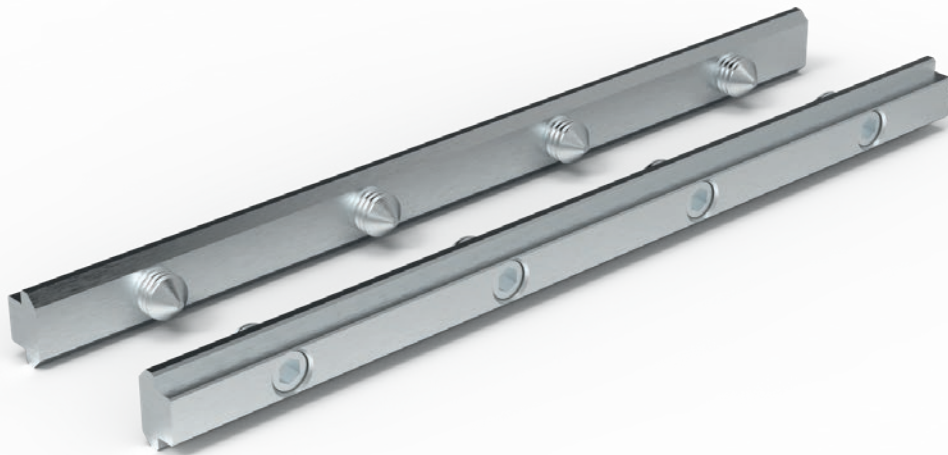
EAN 5603209083031



AL RAIL EXTENSION BARS



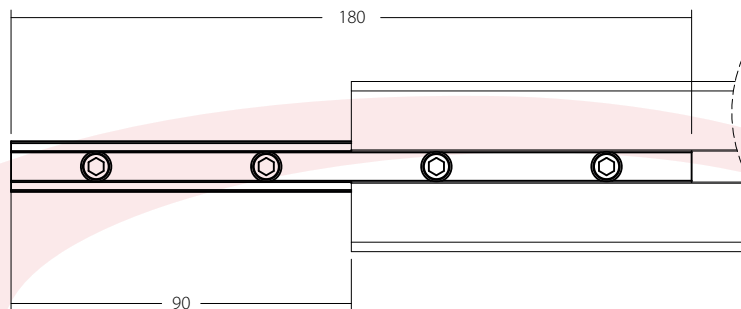
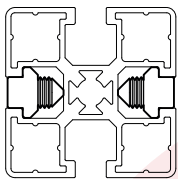
SILVER



[2PCS/SET]

LW COMPATIBLE
(FOR LW1000/1500)

ALL DIMENSION (MM)



EASY TO INSTALL
AND COMBINE

FREEDOM TO CREATE
MODULAR MOUNT
WITH **UNLIMITED**
CONFIGURATION

