



# FM1800B-M

EAN 5603209000540

55"-100"



## MOTORIZED LIFT MOUNT 55-100"

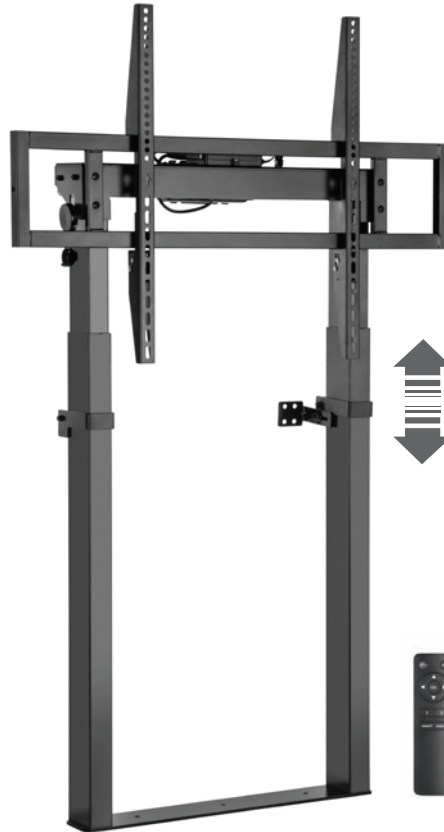
ADJUSTABLE HEIGHT: 675 MM  
MULTIPLE MOTORS: OFFER HEAVIER LIFTING ABILITY  
HEAVY-DUTY STEEL CONSTRUCTION  
REMOTE CONTROL INCLUDED



200x200 to 800x600



BLACK COLOR



INTERACTIVE  
DISPLAYS



REMOTE CONTROL  
INCLUDED

ALL DIMENSIONS (MM)

