
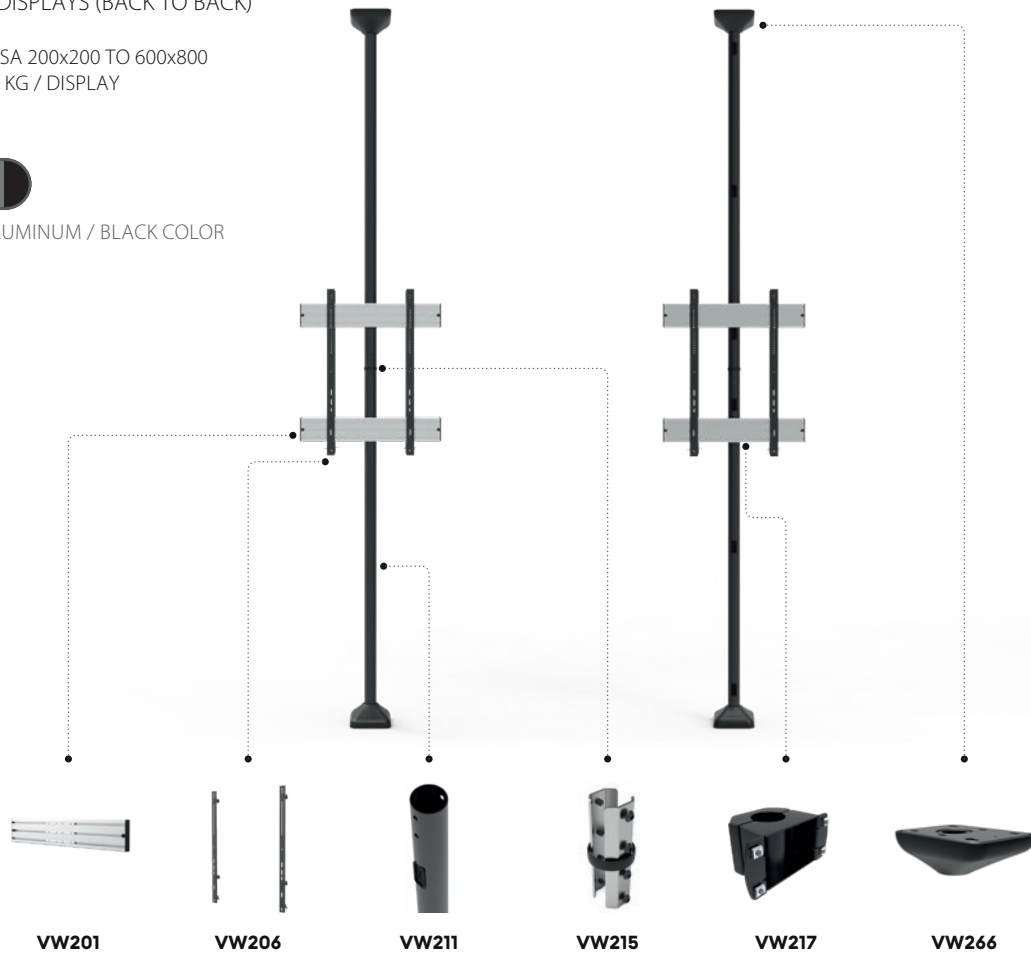


EXAMPLE N°41

VIDEO FLOOR TO CEILING MOUNT
2 DISPLAYS (BACK TO BACK)

VESA 200x200 TO 600x800
75 KG / DISPLAY

 ALUMINUM / BLACK COLOR

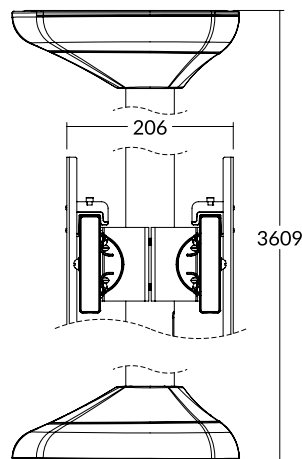


PARTS & COMPONENTS



REF	EAN	DESIGNATION	QTY	CATALOG
VW201	5603209022016	ALUMINUM RAIL 700MM	4	Pag.21
VW206	5603209022061	FIXED ARM 800MM	2	Pag.21
VW211	5603209022115	POLE 1800MM	2	Pag.21
VW215	5603209022153	POLE JOINER	1	Pag.21
VW217	5603209022177	RAIL / POLE CONNECTOR Ø60MM	4	Pag.21
VW266	5603209022665	FLOOR / CEILING POLE PLATE Ø60MM	2	Pag.22

ALL DIMENSION (MM)



EASY TO INSTALL
AND COMBINE

FREEDOM TO CREATE
MODULAR MOUNT
WITH **UNLIMITED**
CONFIGURATION