
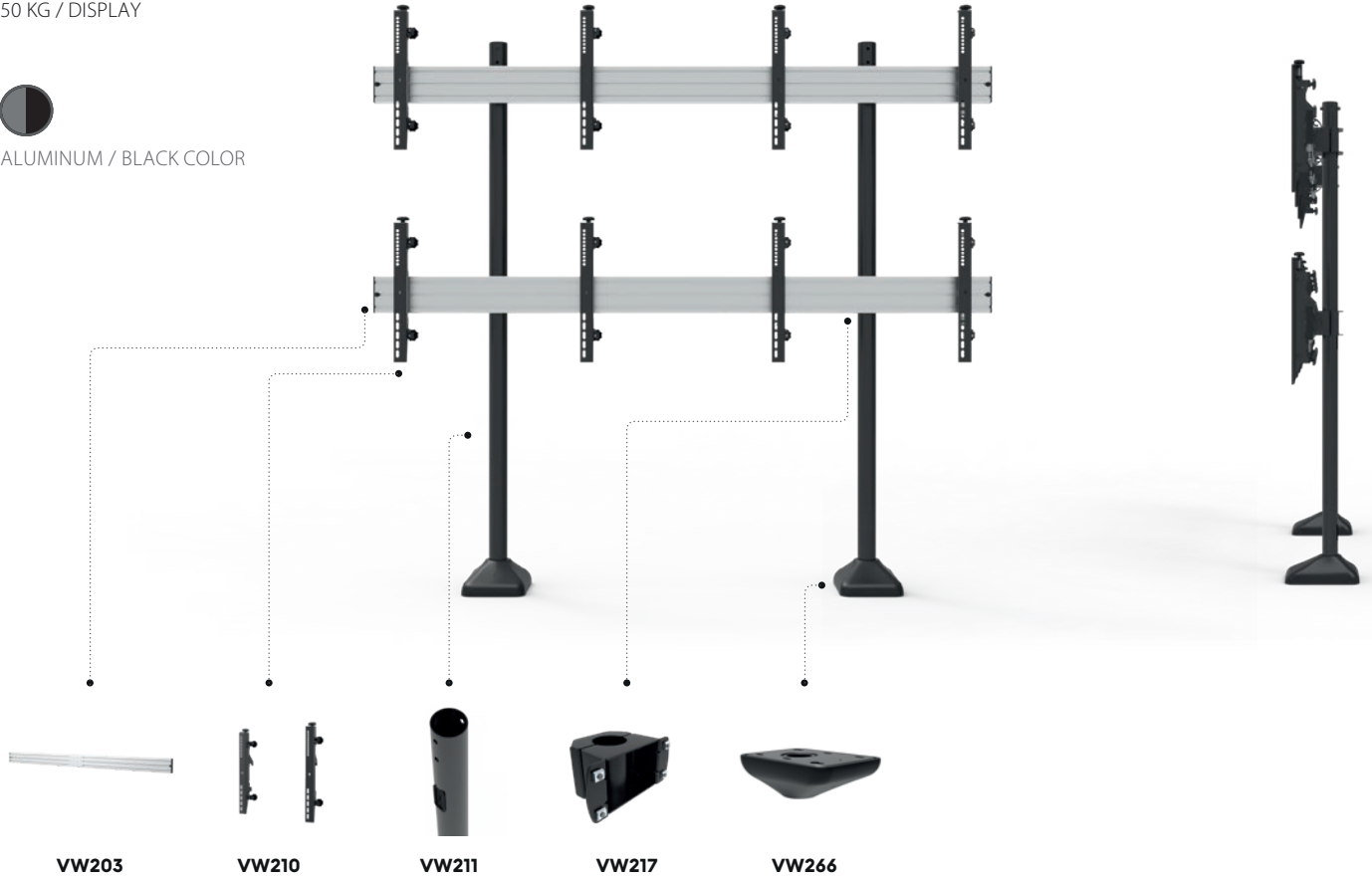


EXAMPLE N°36

GROUND BOLTED VIDEO FLOOR MOUNT
4 DISPLAYS (VIDEOWALL 2x2)

VESA 200x200 TO 600x400
50 KG / DISPLAY

 ALUMINUM / BLACK COLOR

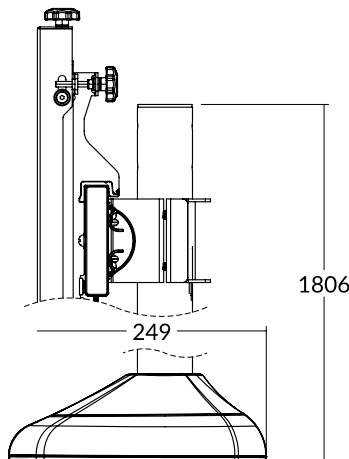


PARTS & COMPONENTS



REF	EAN	DESIGNATION	QTY	CATALOG
VW203	5603209022030	ALUMINUM RAIL 2000MM	2	Pag.21
VW210	5603209022108	TILT ARM 400MM	4	Pag.21
VW211	5603209022115	POLE 1800MM	2	Pag.21
VW217	5603209022177	RAIL / POLE CONNECTOR Ø60MM	4	Pag.21
VW266	5603209022665	FLOOR / CEILING POLE PLATE Ø60MM	2	Pag.22

ALL DIMENSION (MM)



EASY TO INSTALL AND COMBINE

FREEDOM TO CREATE
MODULAR MOUNT WITH **UNLIMITED CONFIGURATION**