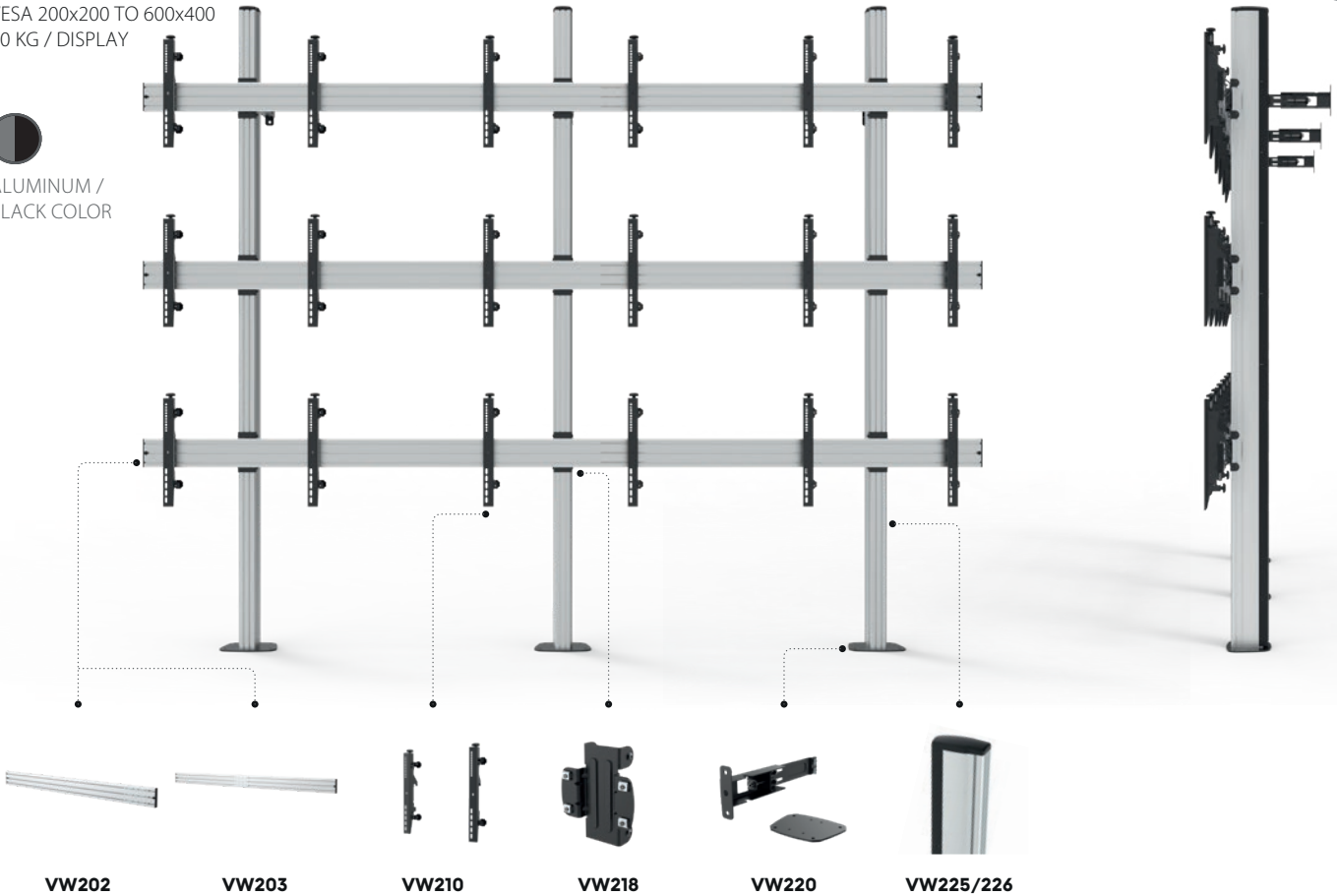


EXAMPLE N°28

GROUND BOLTED VIDEO FLOOR MOUNT
9 DISPLAYS (VIDEOWALL 3x3)

VESA 200x200 TO 600x400
50 KG / DISPLAY

ALUMINUM /
BLACK COLOR

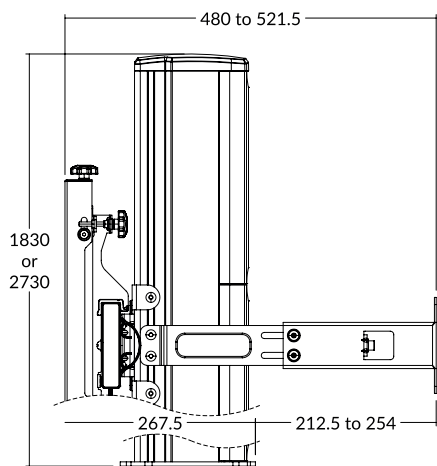


PARTS & COMPONENTS



REF	EAN	DESIGNATION	QTY	CATALOG
VW202	5603209022023	ALUMINUM RAIL 1500MM	3	Pag.21
VW203	5603209022030	ALUMINUM RAIL 2000MM	3	Pag.21
VW210	5603209022108	MICRO-ADJUSTABLE ARM 400MM	9	Pag.21
VW218	5603209022184	RAIL / COLUMN CONNECTOR	9	Pag.21
VW220	5603209022207	BASE PLATE + WALL SAFETY BRACKET	3	Pag.21
VW226	5603209022269	ALUMINIUM COLUMN 1800MM	3	Pag.22

ALL DIMENSION (MM)



EASY TO INSTALL
AND COMBINE

FREEDOM TO CREATE
MODULAR MOUNT
WITH **UNLIMITED**
CONFIGURATION