

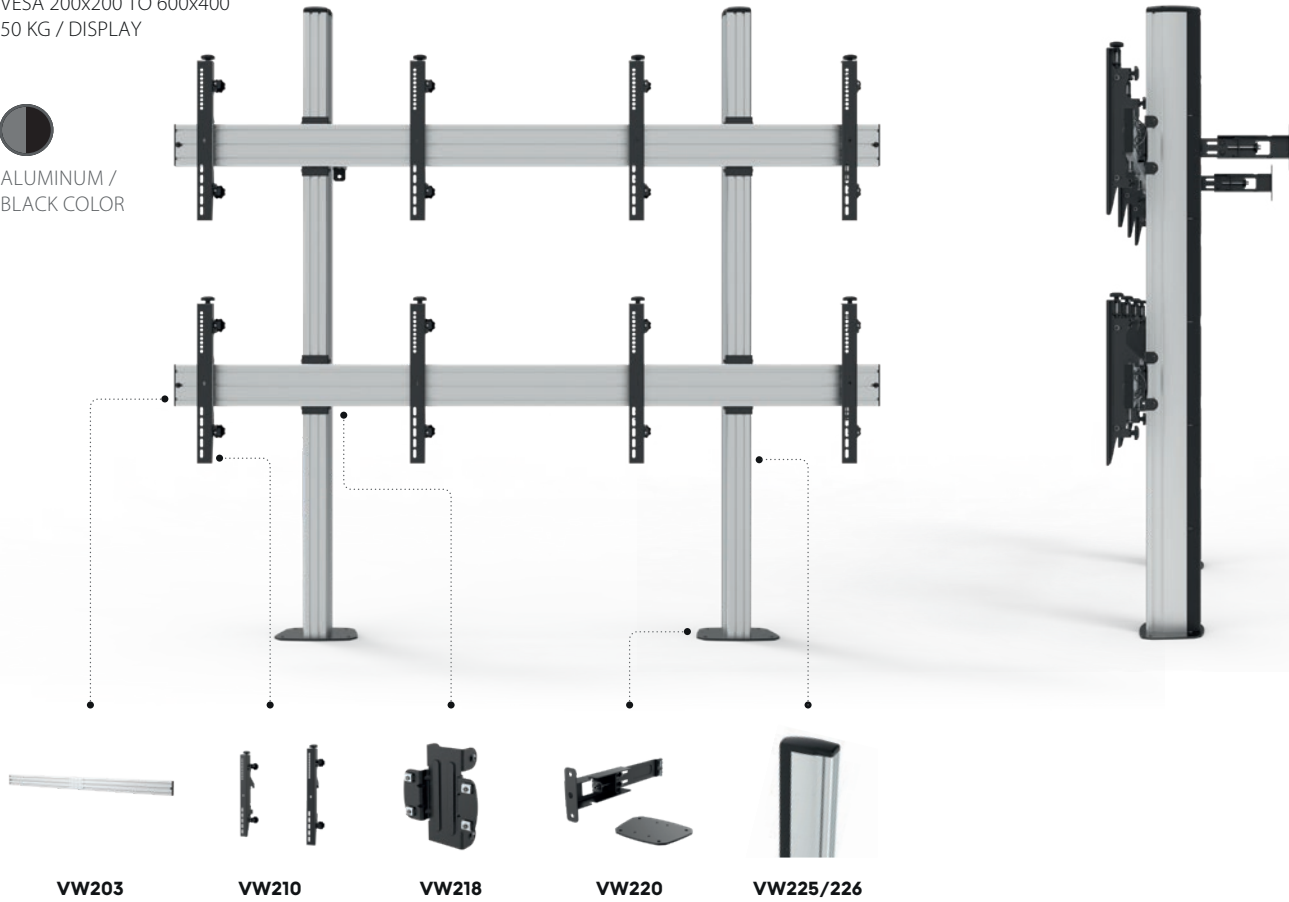
## EXAMPLE N°26

GROUND BOLTED VIDEO FLOOR MOUNT  
4 DISPLAYS (VIDEOWALL 2x2)

VESA 200x200 TO 600x400  
50 KG / DISPLAY



ALUMINUM /  
BLACK COLOR

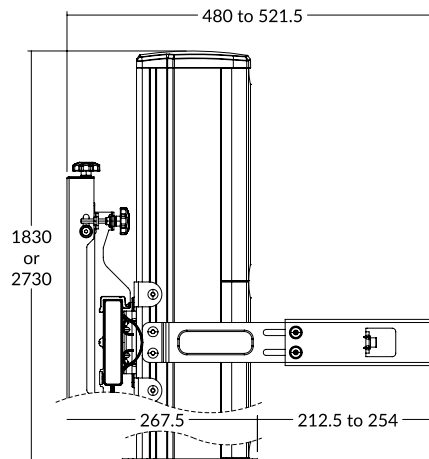


## PARTS & COMPONENTS



REF	EAN	DESIGNATION	QTY	CATALOG
VW203	5603209022030	ALUMINIUM RAIL 2000MM	2	Pag.21
VW210	5603209022108	MICRO-ADJUSTABLE ARM 400MM	4	Pag.21
VW218	5603209022184	RAIL / COLUMN CONNECTOR	4	Pag.21
VW220	5603209022207	BASE PLATE + WALL SAFETY BRACKET	2	Pag.21
VW225	5603209022252	ALUMINIUM COLUMN 1800MM	2	Pag.22

ALL DIMENSION (MM)



EASY TO INSTALL  
AND COMBINE

**FREEDOM TO CREATE**  
MODULAR MOUNT  
WITH **UNLIMITED**  
CONFIGURATION