
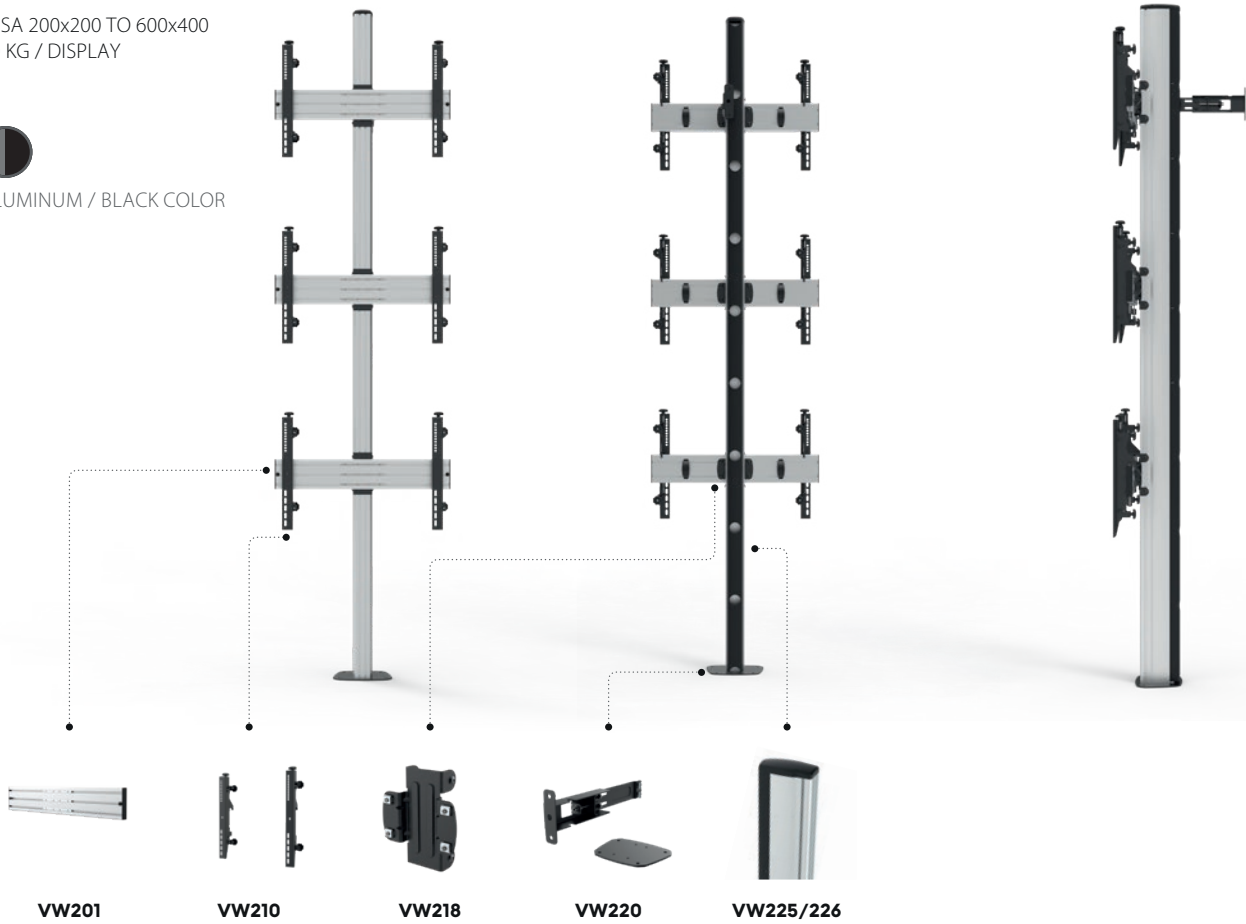


## EXAMPLE N°24

GROUND BOLTED VIDEO FLOOR MOUNT  
3 DISPLAYS (VIDEOWALL 1x3)

VESA 200x200 TO 600x400  
50 KG / DISPLAY

 ALUMINUM / BLACK COLOR

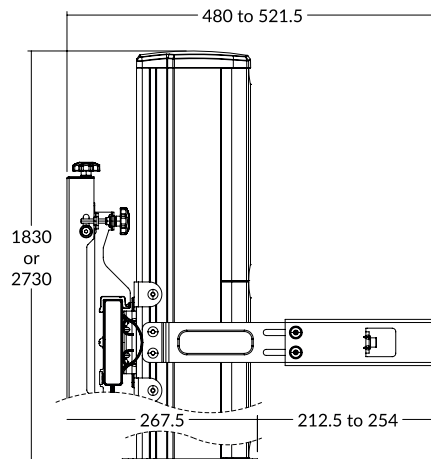


## PARTS & COMPONENTS



REF	EAN	DESIGNATION	QTY	CATALOG
VW201	5603209022016	ALUMINUM RAIL 700MM	3	Pag.21
VW210	5603209022108	MICRO-ADJUSTABLE ARM 400MM	3	Pag.21
VW218	5603209022184	RAIL / COLUMN CONNECTOR	3	Pag.21
VW220	5603209022207	BASE PLATE + WALL SAFETY BRACKET	1	Pag.21
VW226	5603209022269	ALUMINIUM COLUMN 2700MM	1	Pag.22

ALL DIMENSION (MM)



EASY TO INSTALL AND COMBINE

**FREEDOM TO CREATE**  
MODULAR MOUNT WITH **UNLIMITED CONFIGURATION**