

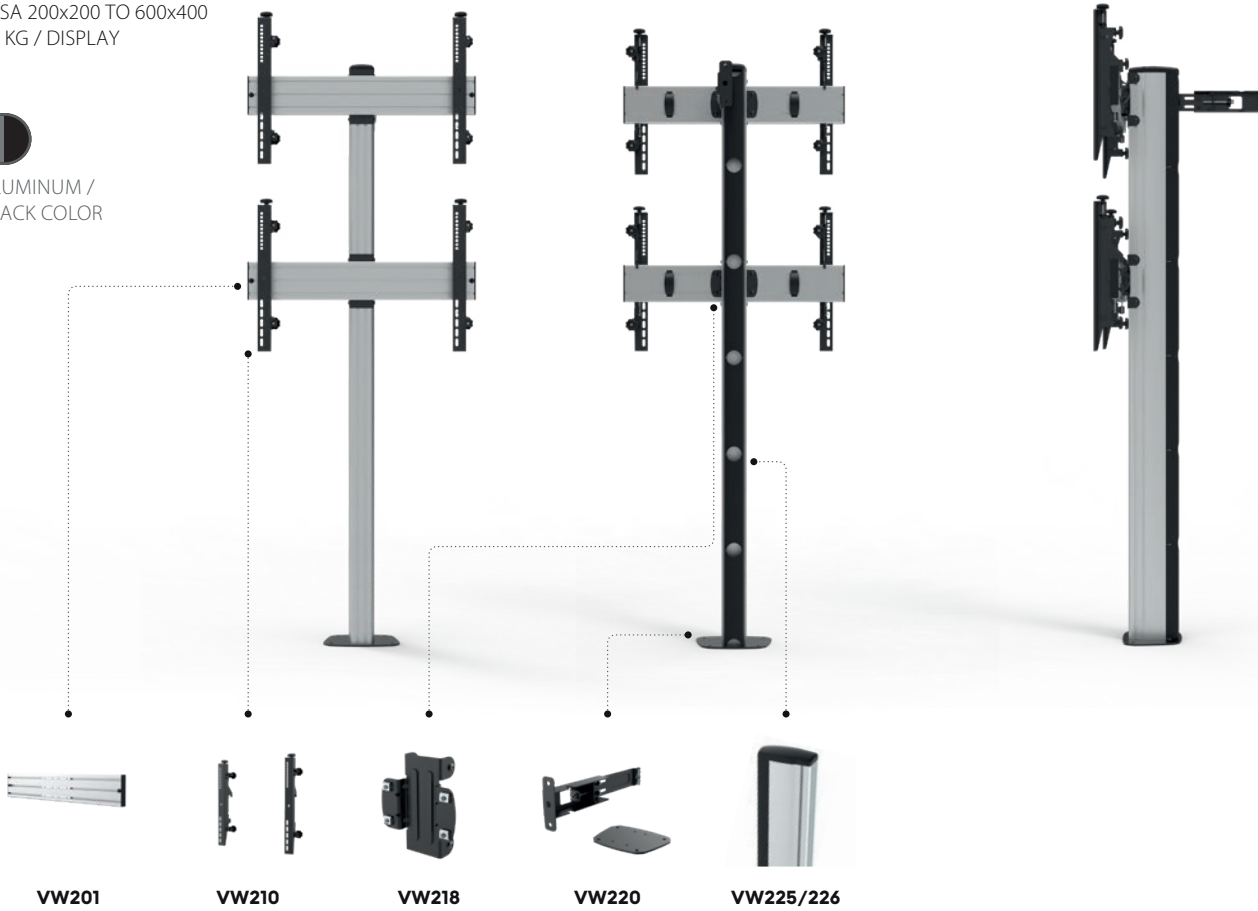
EXAMPLE N°23

GROUND BOLTED VIDEO FLOOR MOUNT
2 DISPLAYS (VIDEOWALL 1x2)

VESA 200x200 TO 600x400
50 KG / DISPLAY



ALUMINUM /
BLACK COLOR

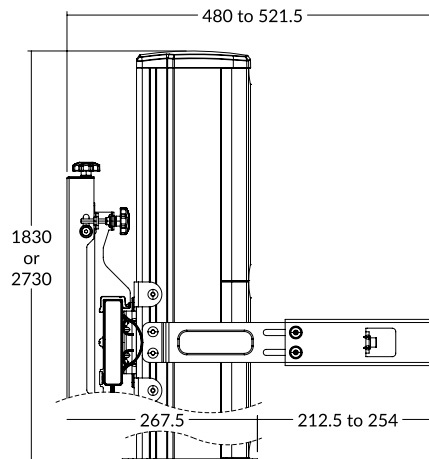


PARTS & COMPONENTS



REF	EAN	DESIGNATION	QTY	CATALOG
VW201	5603209022016	ALUMINUM RAIL 700MM	2	Pag.21
VW210	5603209022108	MICRO-ADJUSTABLE ARM 400MM	2	Pag.21
VW218	5603209022184	RAIL / COLUMN CONNECTOR	2	Pag.21
VW220	5603209022207	BASE PLATE + WALL SAFETY BRACKET	1	Pag.21
VW225	5603209022252	ALUMINIUM COLUMN 1800MM	1	Pag.22

ALL DIMENSION (MM)



EASY TO INSTALL
AND COMBINE

FREEDOM TO CREATE
MODULAR MOUNT
WITH **UNLIMITED**
CONFIGURATION