
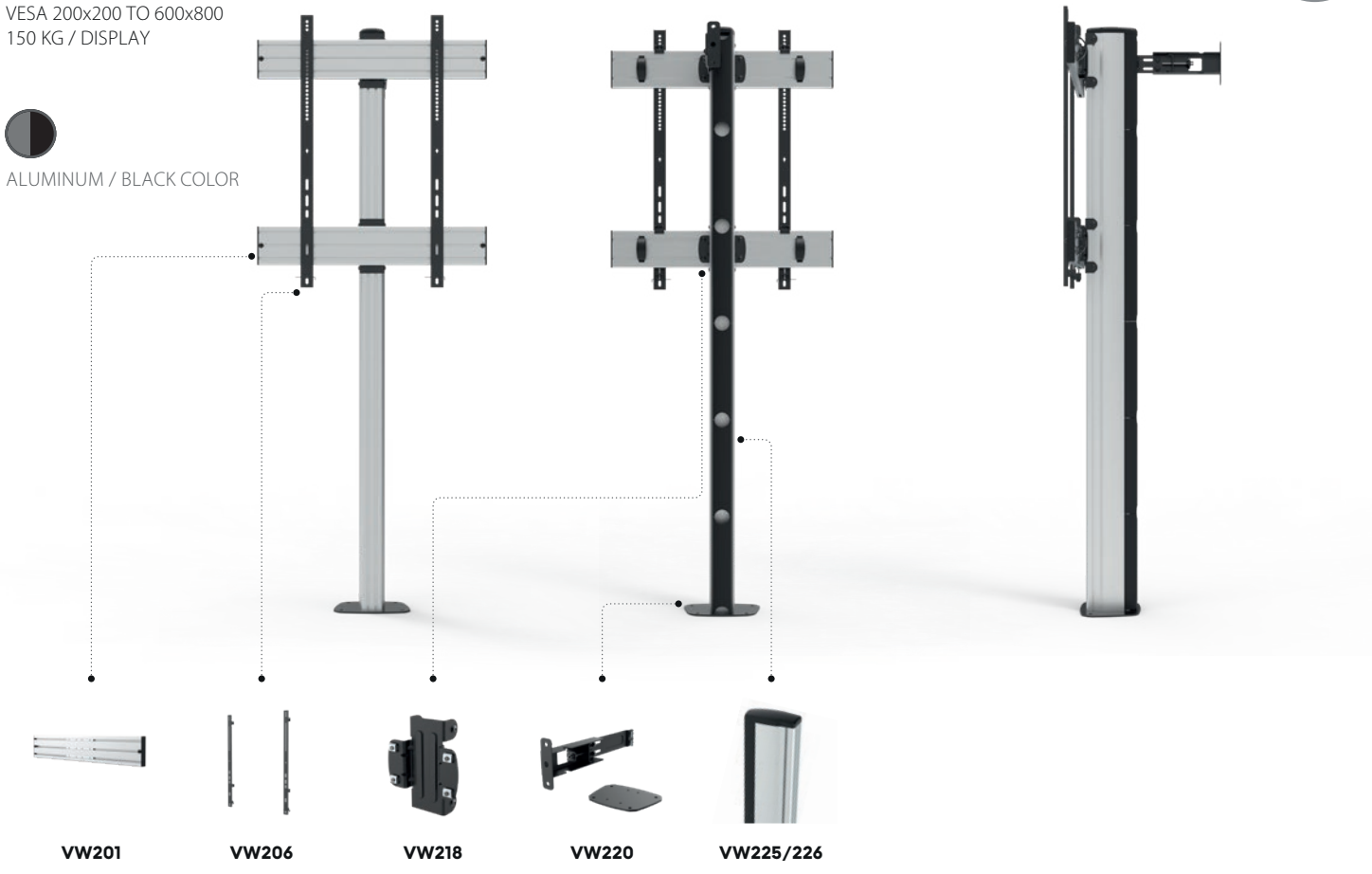


EXAMPLE N°21

GROUND BOLTED VIDEO FLOOR MOUNT
1 DISPLAY

VESA 200x200 TO 600x800
150 KG / DISPLAY

 ALUMINUM / BLACK COLOR

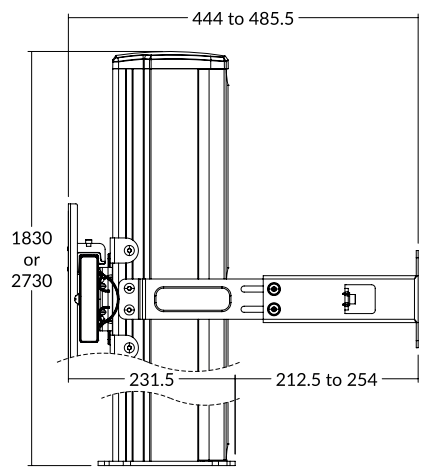


PARTS & COMPONENTS



REF	EAN	DESIGNATION	QTY	CATALOG
VW201	5603209022016	ALUMINUM RAIL 700MM	2	Pag.21
VW206	5603209022061	FIXED ARM 800MM	1	Pag.21
VW218	5603209022184	RAIL / COLUMN CONNECTOR	2	Pag.21
VW220	5603209022207	BASE PLATE + WALL SAFETY BRACKET	1	Pag.21
VW225	5603209022252	ALUMINIUM COLUMN 1800MM	1	Pag.22

ALL DIMENSION (MM)



EASY TO INSTALL AND COMBINE

FREEDOM TO CREATE
MODULAR MOUNT WITH **UNLIMITED CONFIGURATION**