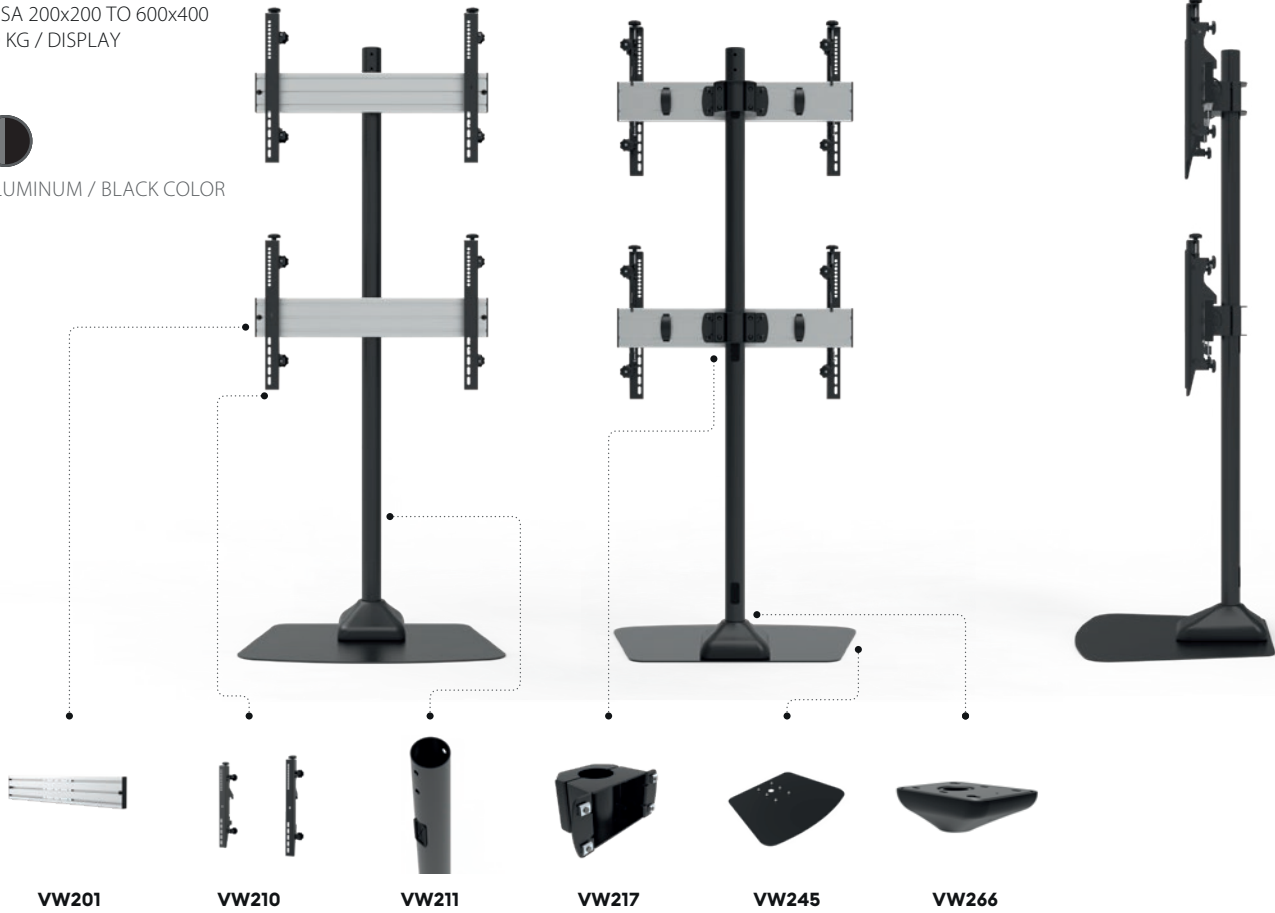


EXAMPLE N°20

STANDING VIDEO FLOOR MOUNT
2 DISPLAYS (VIDEOWALL 1x2)

VESA 200x200 TO 600x400
50 KG / DISPLAY

ALUMINUM / BLACK COLOR

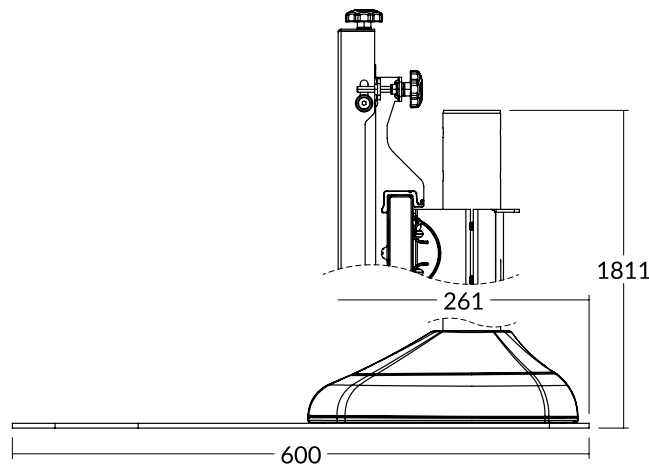


PARTS & COMPONENTS



REF	EAN	DESIGNATION	QTY	CATALOG
VW201	5603209022016	ALUMINUM RAIL 700MM	2	Pag.21
VW210	5603209022108	MICRO-ADJUSTABLE ARM 400MM	2	Pag.21
VW211	5603209022115	POLE 1800MM	1	Pag.21
VW217	5603209022177	RAIL / POLE CONNECTOR Ø60	2	Pag.21
VW245	5603209022450	BASE PLATE	1	Pag.22
VW266	5603209022665	FLOOR / CEILING POLE PLATE Ø60MM	1	Pag.22

ALL DIMENSION (MM)



EASY TO INSTALL AND COMBINE

FREEDOM TO CREATE
MODULAR MOUNT WITH **UNLIMITED CONFIGURATION**