

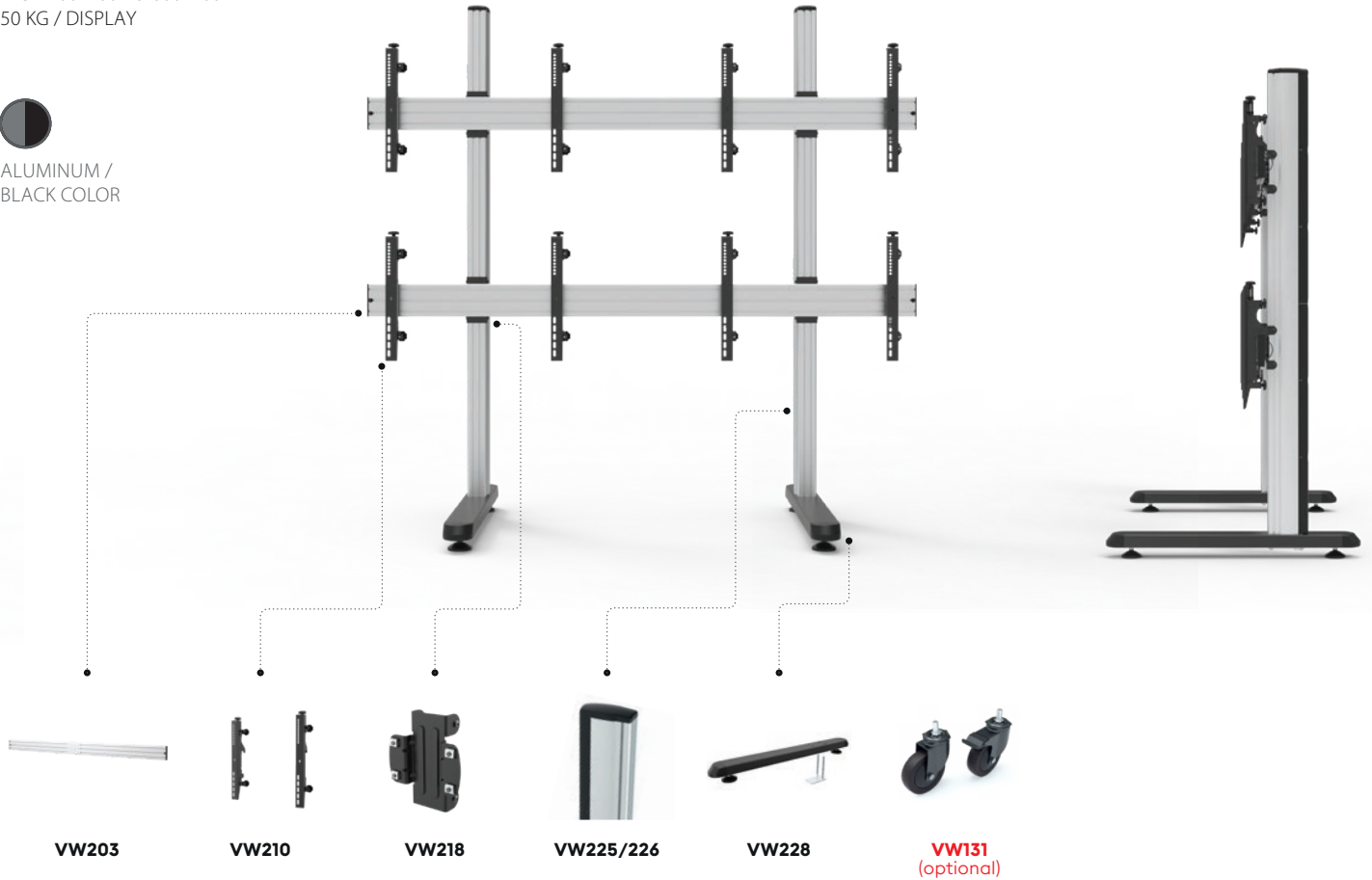
EXAMPLE N°16

STANDING VIDEO FLOOR MOUNT
4 DISPLAYS (VIDEOWALL 2x2)

VESA 200x200 TO 600x400
50 KG / DISPLAY



ALUMINUM /
BLACK COLOR

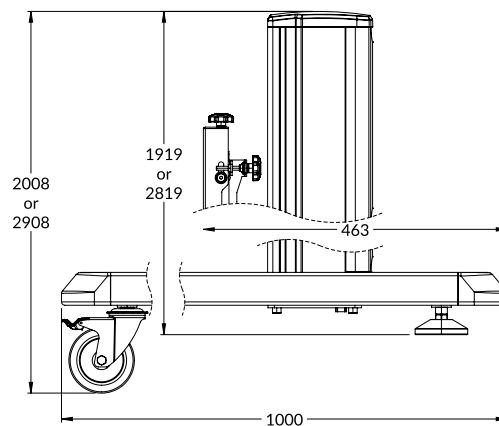


PARTS & COMPONENTS



REF	EAN	DESIGNATION	QTY	CATALOG
VW203	5603209022030	ALUMINIUM RAIL 2000MM	2	Pag.21
VW210	5603209022108	MICRO-ADJUSTABLE ARM 400MM	4	Pag.21
VW218	5603209022184	RAIL / COLUMN CONNECTOR	4	Pag.21
VW225	5603209022252	ALUMINIUM COLUMN 1800MM	2	Pag.22
VW228	5603209022283	LEG 1000MM	2	Pag.22
VW131	5603209091319	4" WHEELS [2PCS/SET]	2	Pag.21

ALL DIMENSION (MM)



EASY TO INSTALL
AND COMBINE

FREEDOM TO CREATE
MODULAR MOUNT
WITH **UNLIMITED**
CONFIGURATION