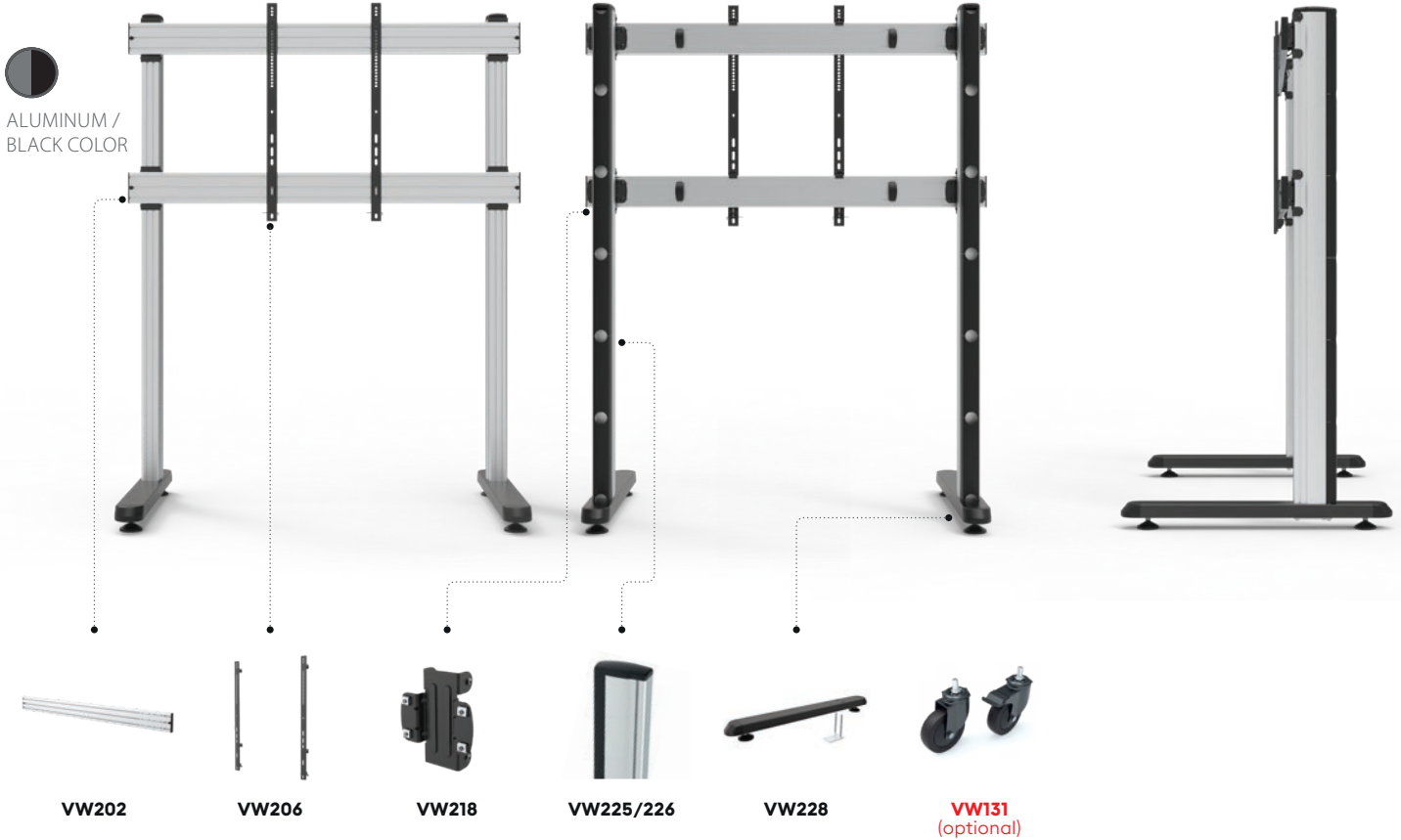


EXAMPLE N°15

STANDING VIDEO FLOOR MOUNT
1 DISPLAY

VESA 200x200 TO 1400x800
150 KG / DISPLAY

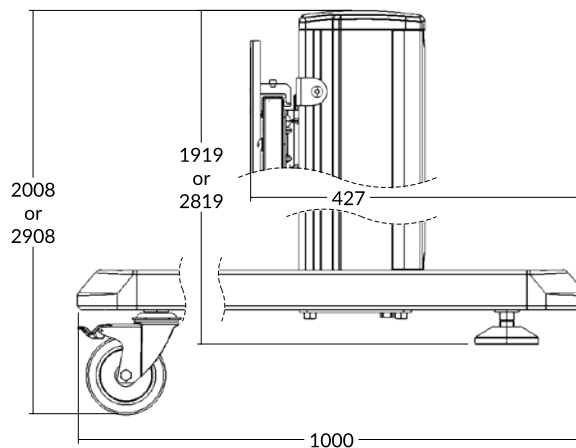


PARTS & COMPONENTS



REF	EAN	DESIGNATION	QTY	CATALOG
VW202	5603209022023	ALUMINIUM RAIL 1500MM	2	Pag.21
VW206	5603209022061	FIXED ARM 800MM	1	Pag.21
VW218	5603209022184	RAIL / COLUMN CONNECTOR	4	Pag.21
VW225	5603209022252	ALUMINIUM COLUMN 1800MM	2	Pag.22
VW228	5603209022283	LEG 1000MM	2	Pag.22
VW131	5603209091319	4" WHEELS [2PCS/SET]	2	Pag.21

ALL DIMENSION (MM)



EASY TO INSTALL AND COMBINE

FREEDOM TO CREATE
MODULAR MOUNT WITH **UNLIMITED CONFIGURATION**