

EXAMPLE N°13

VIDEO CEILING MOUNT

6 DISPLAYS (TILT MENUBOARD 3x1 BACK TO BACK)

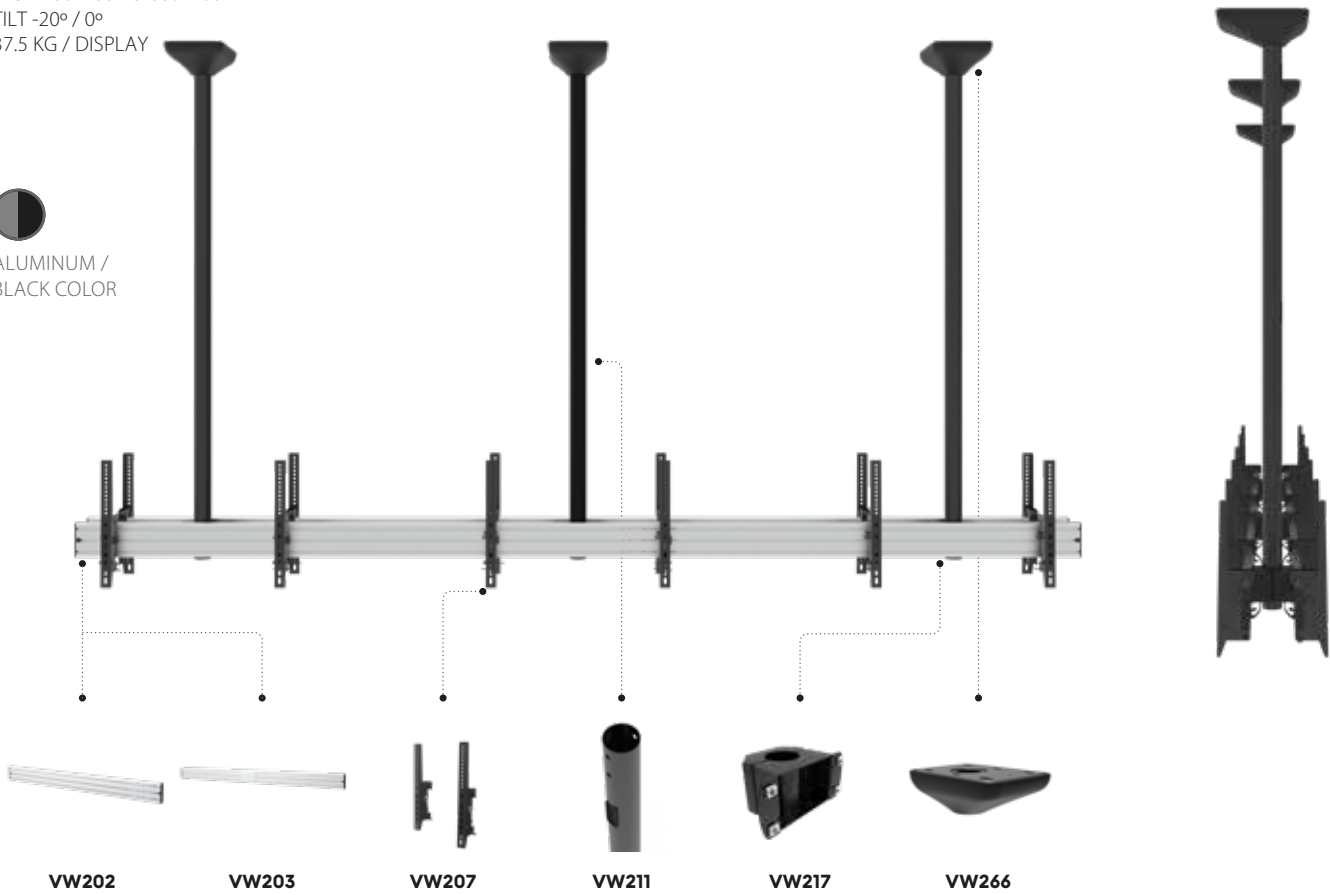
VESA 200x200 TO 600x400

TILT -20° / 0°

37.5 KG / DISPLAY



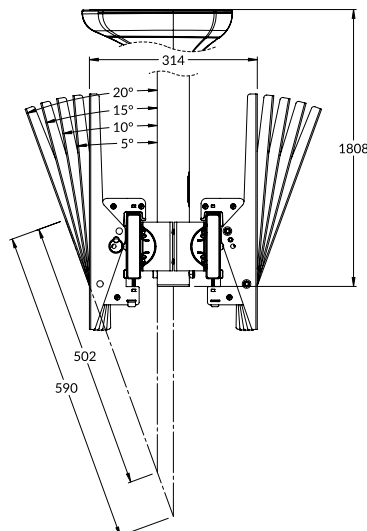
ALUMINUM /
BLACK COLOR



PARTS & COMPONENTS



REF	EAN	DESIGNATION	QTY	CATALOG
VW202	5603209022023	ALUMINUM RAIL 1500MM	2	Pag.21
VW203	5603209022030	ALUMINUM RAIL 2000MM	2	Pag.21
VW207	5603209022078	TILT ARM 400MM	6	Pag.21
VW211	5603209022115	POLE 1800MM	3	Pag.21
VW217	5603209022177	RAIL / POLE CONNECTOR Ø60	6	Pag.21
VW266	5603209022665	FLOOR / CEILING POLE PLATE Ø60MM	3	Pag.22



ALL DIMENSION (MM)



EASY TO INSTALL
AND COMBINE

FREEDOM TO CREATE
MODULAR MOUNT
WITH **UNLIMITED**
CONFIGURATION