

A (x1)

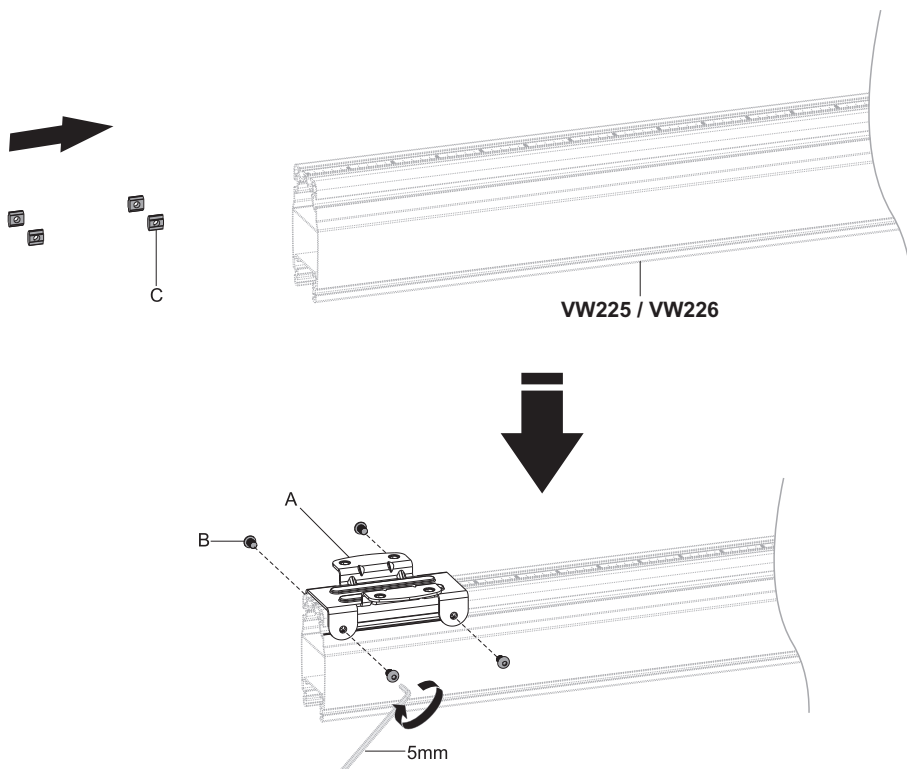


M8x12 (x8)
B



C (x8)

Prenda o equipamento à coluna / Attach Connecting Plate to the Column



Fixe a coluna ao Rail / Attach Column to the Mounting Rail

