

SW1120

EAN 5603209000854

17"-32"



MONITOR WALL MOUNT 17 - 32"

GAS SPRING FOR WEIGHT COUNTERBALANCE
MOUNTING PROFILE: 90 - 540MM
HEIGHT ADJUSTMENT: 250MM
TILT +90° -45°
SWIVEL ±90° / ±180° / ±90°
ROTATION ±180°
DETACHABLE VESA PLATE



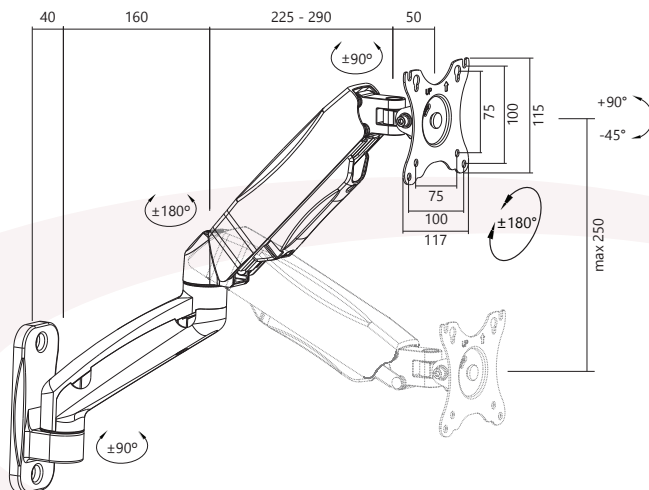
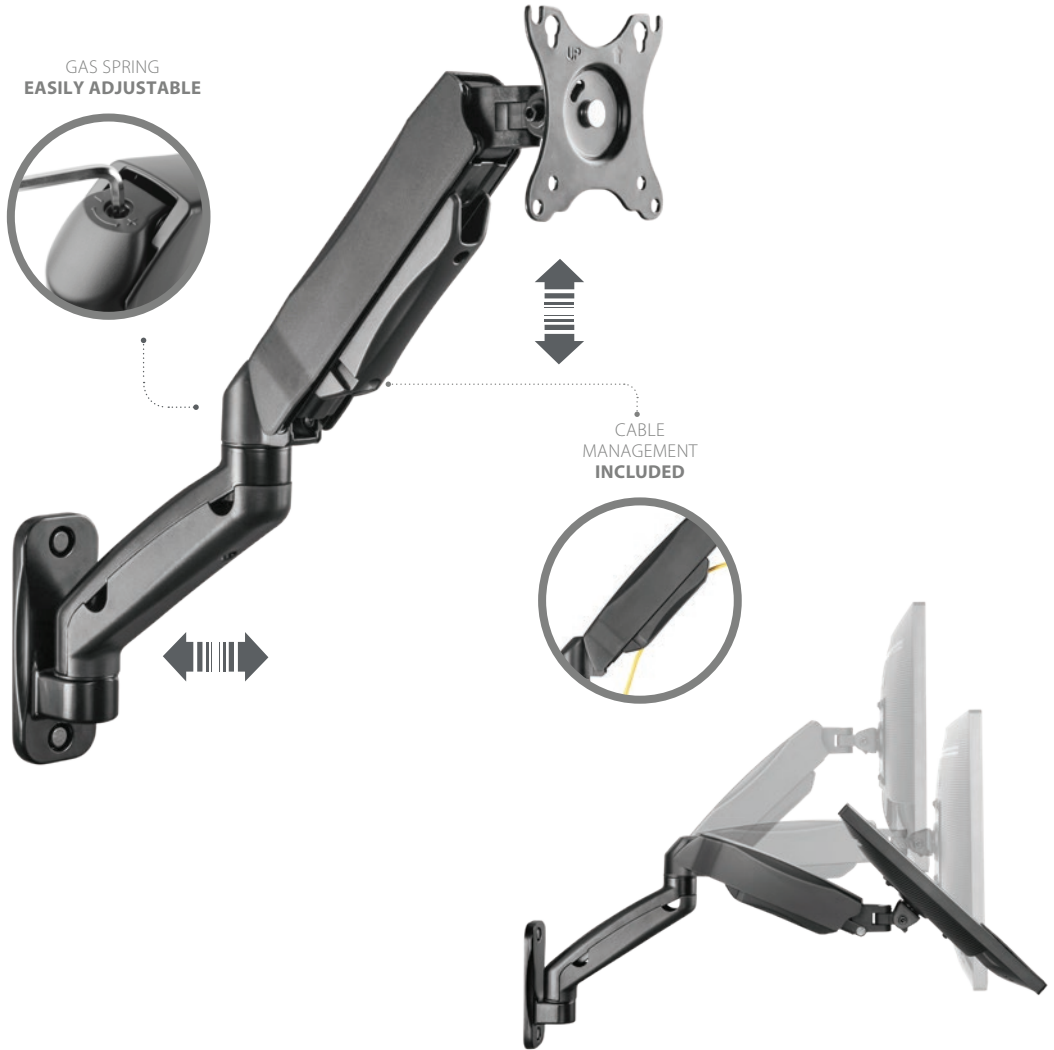
75X75 to 100X100



BLACK COLOR

ORIENTATION

LANDSCAPE / PORTRAIT



ALL DIMENSIONS (MM)