



CART MOUNTS



VWA1100

EAN: 5603209011003

60"-100"



DISPLAYS 60-100"

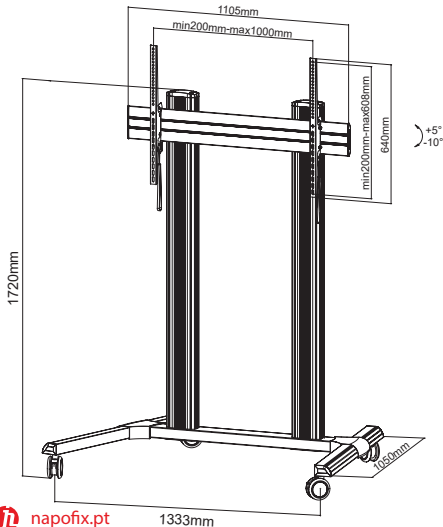
HIGH-END BRAKED WHEELS | ADJUSTABLE FEET

TILT +5° -10°

MICRO-ADJUSTMENT

TOTAL HEIGHT: 1720MM

INTEGRATED CABLE MANAGEMENT



BRAKED WHEELS
ADJUSTABLE FEET
INCLUDED



SILVER / BLACK COLOR